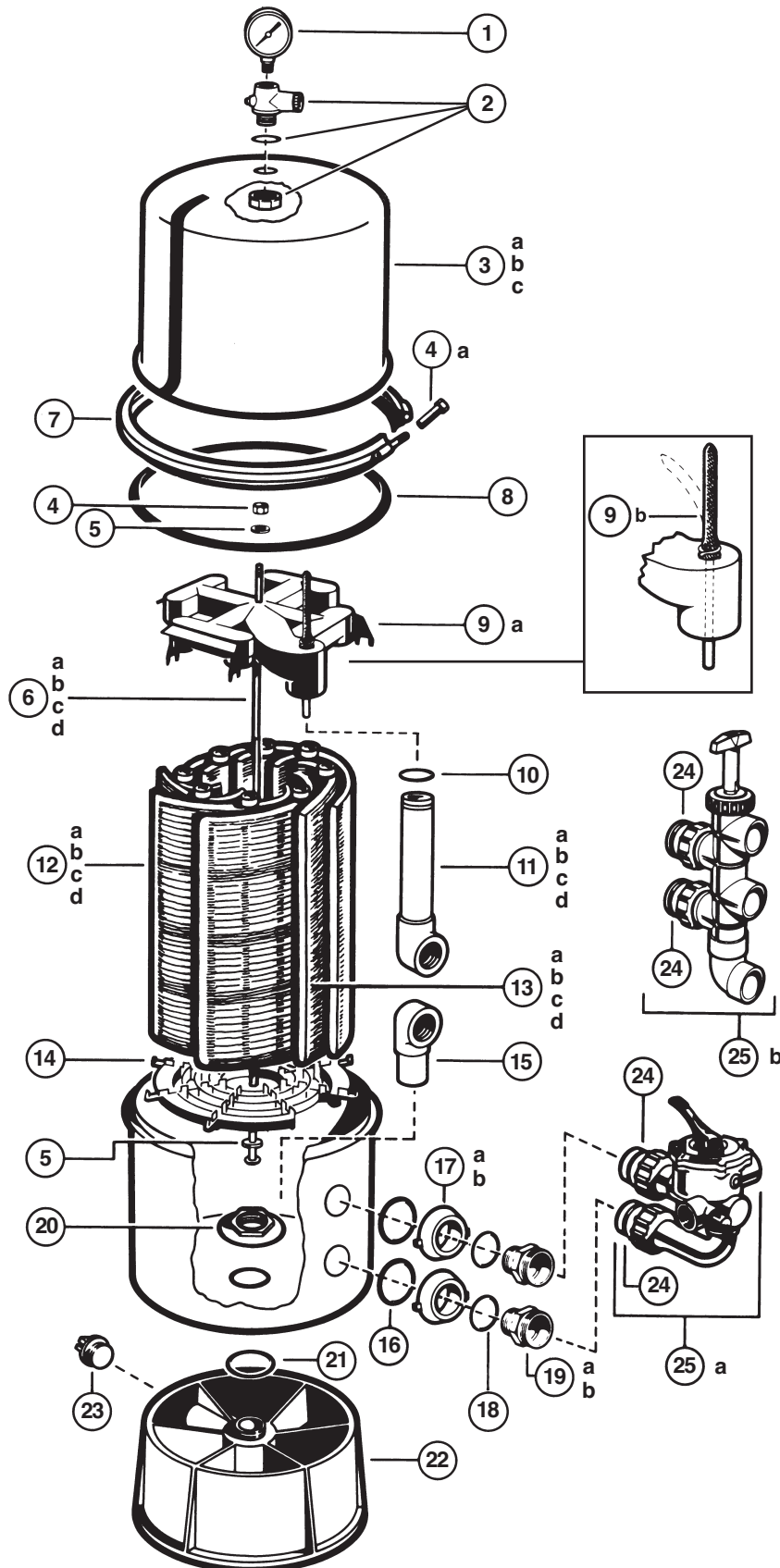




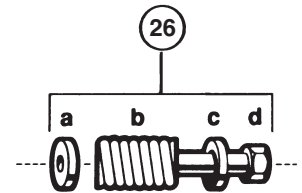
Micro-Clear™

VERTICAL GRID D.E. FILTER SERIES REPLACEMENT PARTS (Stainless Steel)

Parts Diagram



Clamp Spring Assembly



The sleeve nut assembly, which includes a spring, two washers (small and large hole) and a sleeve nut, provides a visual means of ensuring that the clamp is tight.

Filters

Parts Listing

Ref. No.	Part No.	Description	Ctn. Qty.	No. Req'd	List Price
1	ECX270861	Pressure Gauge	10	1	\$14.18
2	DEX360AR	Relief Valve/Gauge Adapter Assembly	5	1	22.47
—	DEX2400Z3A	O-Ring for Relief Valve Stem (Set of 3)	10	1	6.16
3a	DEX360B**	Filter Head	1	1	372.01
3b	DEX600B**	Filter Head	1	1	727.18
3c	DEX720B**	Filter Head	1	1	853.28
4	ECX176865	Retainer Nut, 5/16" – 18	25	1	1.50
4a	DEX360JN	Nickel-Plated Sleeve Nut 5/16" – 18	10	2	9.31
5	ECX1109	Washer, 5/16"	25	2	0.66
6a	DEX3600R	Retainer Rod	2	1	35.91
6b	DEX4800R	Retainer Rod	2	1	40.85
6c	DEX6000R	Retainer Rod	2	1	49.35
6d	DEX7200R	Retainer Rod	2	1	57.80
7	DEX360J	Clamp Assembly w/Spring Assemblies	1	1	149.36
8	DEX360K	Filter Tank O-Ring	10	1	24.52
9a	DEX2400C	Top Collector Manifold – w/Auto Air Relief	1	1	49.19
9b	DEX2400CR	Auto Air Relief Assembly	5	1	13.70
10	DEX2400Z5	Outlet Elbow O-Ring	50	1	3.70
11a	DEX360SRB*	Buttress Thrd Outlet Elbow Ass'y – Flat Seal Surface w/O-Ring & Blkhd Ftg (1997-)	5	1	59.90
11b	DEX480SRB*	Buttress Thrd Outlet Elbow Ass'y – Flat Seal Surface w/O-Ring & Blkhd Ftg (1997-)	5	1	63.74
11c	DEX600SRB*	Buttress Thrd Outlet Elbow Ass'y – Flat Seal Surface w/O-Ring & Blkhd Ftg (1997-)	5	1	67.67
11d	DEX720SRB*	Buttress Thrd Outlet Elbow Ass'y – Flat Seal Surface w/O-Ring & Blkhd Ftg (1997-)	5	1	70.46
12a	DEX3600DA	Filter Element	5	7	25.95
12b	DEX4800DA	Filter Element	5	7	29.75
12c	DEX6000DA	Filter Element	5	7	35.30
12d	DEX7200DA	Filter Element	5	7	40.80
13a	DEX3600DS	Filter Element – Short	5	1	26.25
13b	DEX4800DS	Filter Element – Short	5	1	33.00
13c	DEX6000DS	Filter Element – Short	5	1	34.45
13d	DEX7200DS	Filter Element – Short	5	1	40.25
14	DEX2400HS	Filter Element Locator	5	1	35.91
15	DEX360GRB*	Buttress Thrd Inlet Elbow Ass'y – curved (radius) connection w/O-Ring & Blkhd Ftg (1997-)	5	1	46.88
16	DEX360E	O-Ring	10	2	6.86
17a	DEX360D**	Spacer – Flat Seal Surface	20	2	9.60
17b	DEX360HR	Spacer – curved (radius) connection	20	1	11.66
18	SX200Z3	O-Ring – large	10	2	3.01
19a	DEX360F	Bulkhead Fitting – Noryl® (all units)	25	2	19.58
19b	DEX360FB	Buttress Thread Bulkhead Fitting (1997-)	25	2	19.58
20	ECX1235B	Locknut	5	1	7.42
21	SPX1495Z1	O-Ring	10	1	1.81
22	ECX1235A	Support Base	1	1	65.15
23	SP1022C	1 1/2" Drain Plug w/O-Ring	100	1	—
24	SX200Z4	O-Ring	25	2	2.19
25a	SP0710XR50	Vari-Flo Valve Assembly – 1 1/2" NPT	1	1	—
—	SP0715XR50	Vari-Flo Valve Assembly – 2" NPT	1	1	—
25b	SP0410X502S	Slide Valve Assembly – 2" SKT	1	1	—
—	SP0740DE	Selecta-Flo Valve Assembly – 2" SKT	1	1	—
26	DEX360JKIT	Clamp Spring Assembly Replacement Kit (Set of 2) [2 complete assemblies include: (a) washer w/small hole, (b) spring, (c) washer w/large hole, (d) nickel-plated sleeve nut]	10	1	31.13
—	DEX7200DC	Filter Element Cluster Assembly (complete set elements, collector, locator, etc.)	1	1	774.25

*For 1997 and prior filters, when elbow replacement is required, use complete kit called out in 11a-11d and 15a-15b.

** Limited Quantity Available.