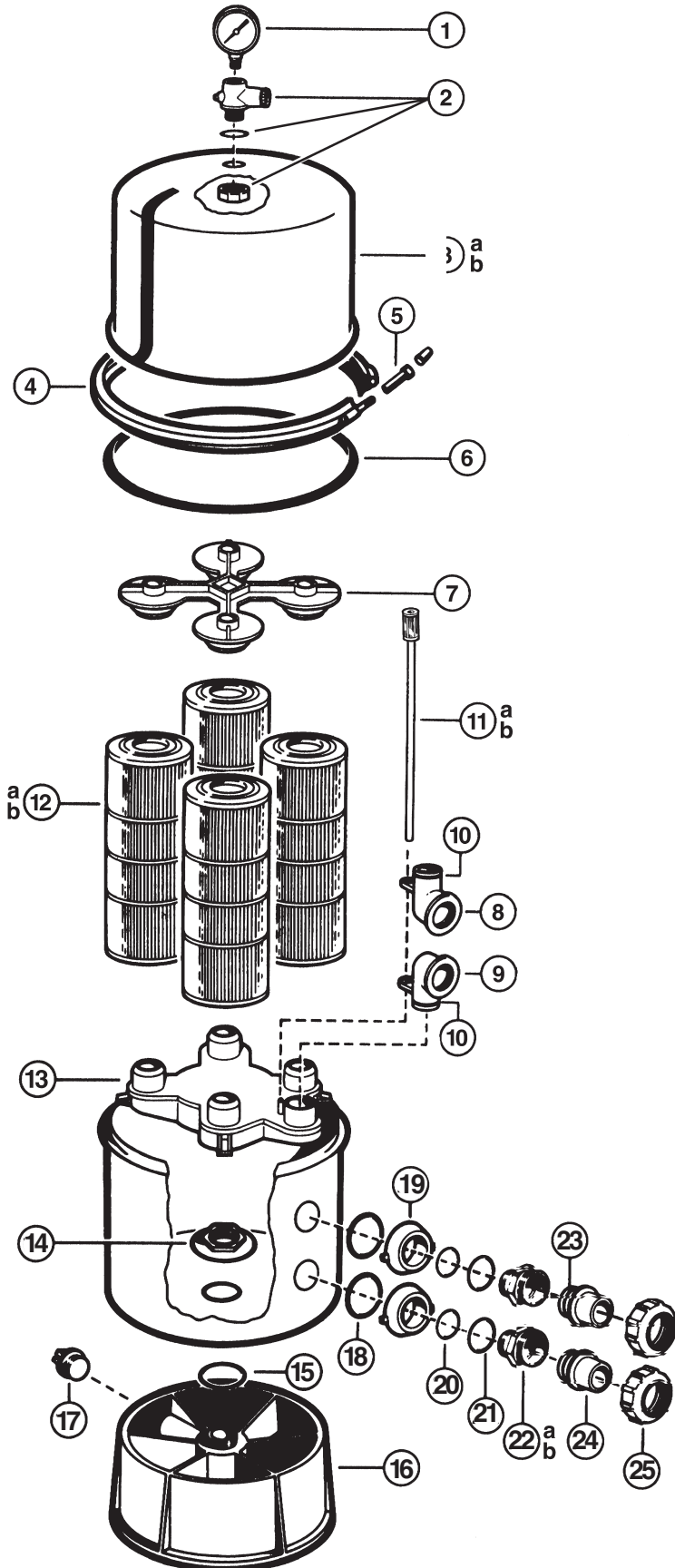




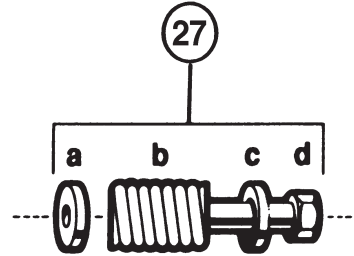
# Super Star-Clear™

C3000S, C4000S, CARTRIDGE FILTER SERIES REPLACEMENT PARTS (Stainless Steel)

## Parts Diagram



### CLAMP SPRING ASSEMBLY



The sleeve nut assembly, which includes a spring, two washers (small and large hole) and a sleeve nut, provides a visual means of ensuring that the clamp is tight.



### Parts Listing

Ref. No.	Part No.	Description	Ctn. Qty.	No. Req'd	List Price
1	ECX270861	Pressure Gauge	10	1	<b>\$14.18</b>
2	DEX360AR	Relief Valve/Gauge Adapter Assembly	5	1	<b>22.47</b>
—	DEX2400Z3A	O-Ring for Relief Valve Stem ( <i>Set of 3</i> )	10	1	<b>6.16</b>
3	DEX360B**	Filter Head (C3000S)	1	1	<b>372.01</b>
4	DEX360J	Clamp Assembly w/Spring Assemblies	1	1	<b>149.36</b>
5	DEX360JN	Nickel-Plated Sleeve Nut 5/16" – 18	10	2	<b>9.31</b>
6	DEX360K	Filter Tank O-Ring	10	1	<b>24.52</b>
7	CX3000D	Closure Plate	1	1	<b>32.86</b>
8	CX3000FRB*	Buttress Thread Inlet Elbow Assembly w/O-Ring & Bulkhead Fitting (1997- )	5	1	<b>41.53</b>
9	CX3000FRB*	Buttress Thread Outlet Elbow Assembly w/O-Ring & Bulkhead Fitting (1997- )	5	1	<b>41.53</b>
10	SPX0722GH	O-Ring	10	1	<b>3.50</b>
11a	CX3000Z2	Air Relief Tube w/Air Tube Screen (C3000S)	5	1	<b>5.48</b>
11b	CX4000Z2	Air Relief Tube w/Air Tube Screen (C4000S)	1	1	<b>7.12</b>
12a	CX580XRE	Cartridge Element (C3000S)	1	4	<b>67.60</b>
12b	CX880XRE	Cartridge Element (C4000S)	1	4	<b>84.25</b>
13	CX3000C	Bottom Collector Manifold	1	1	<b>55.49</b>
14	ECX1235B	Locknut	5	1	<b>7.42</b>
15	SPX1495Z1	O-Ring	10	1	<b>1.81</b>
16	ECX1235A	Support Base	1	1	<b>65.15</b>
17	SP1022C	1 1/2" Drain Plug w/O-Ring	100	1	—
18	DEX360E	O-Ring	10	2	<b>6.86</b>
19	DEX360HR	Spacer	20	2	<b>11.66</b>
20	DEX360M	O-Ring (1992 and prior)	10	2	<b>2.60</b>
21	SX200Z3	O-Ring	10	2	<b>3.01</b>
22a	DEX360F	Bulkhead Fitting	25	2	<b>19.58</b>
22b	DEX360FB	Buttress Thread Bulkhead Fitting (1997- )	25	2	<b>19.58</b>
23	SX200Z4	O-Ring	10	2	<b>2.19</b>
24	SX240F	1 1/2" Socket Connector	10	2	<b>9.05</b>
25	SX200R	Locknut	10	2	<b>4.52</b>
26	DEX360JKIT	Clamp Spring Assembly Replacement Kit [2 complete assemblies include: (a) washer w/small hole, (b) spring, (c) washer w/large hole, (d) nickel-plated sleeve nut]	10	1	<b>31.13</b>

\*For 1997 and prior filters, when elbow replacement is required use complete kit called out in 8 and 9.

\*\*Limited Quantity Available.

Filters