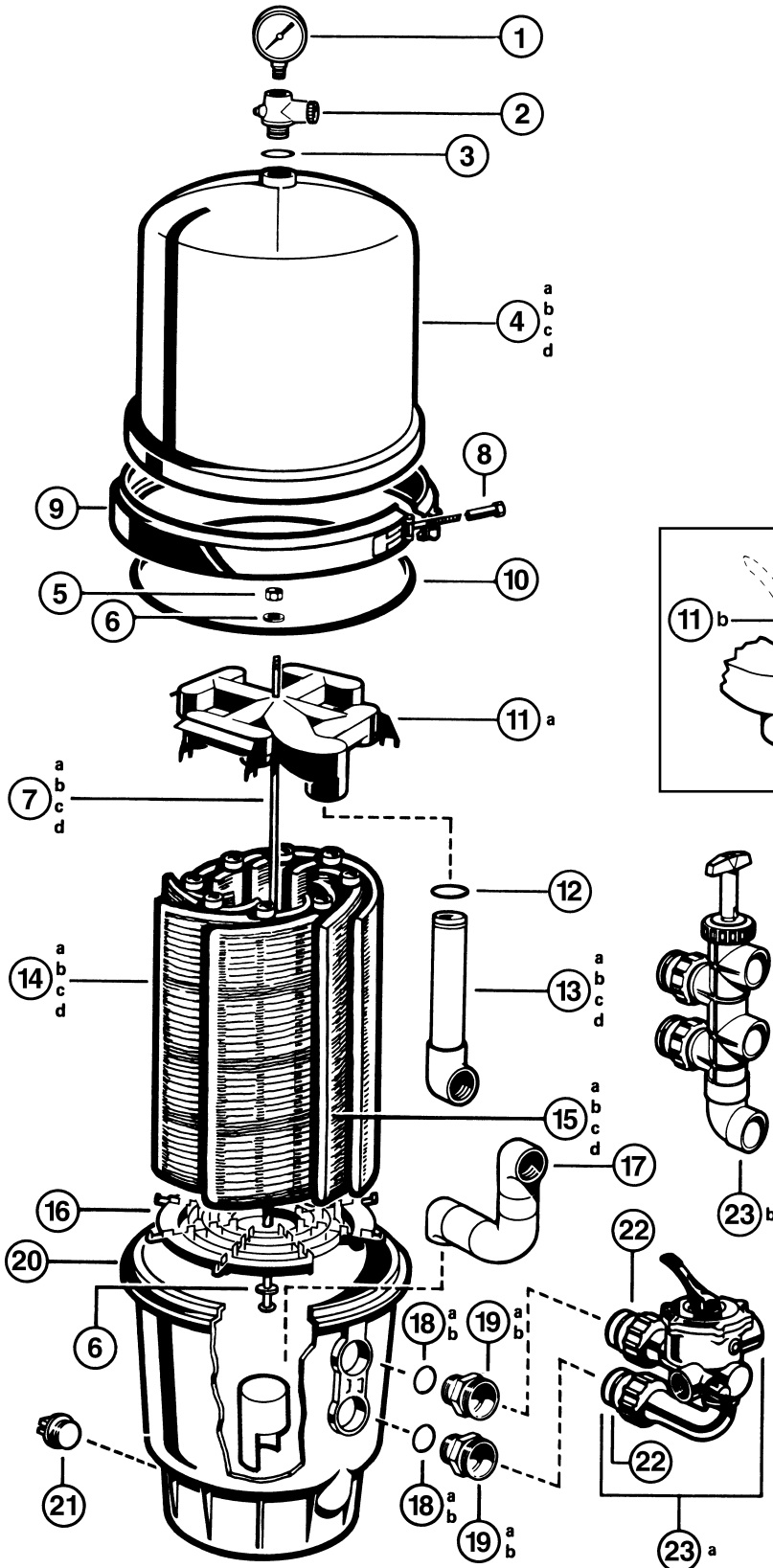
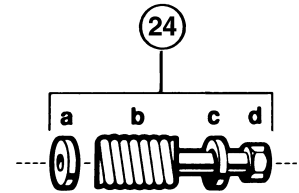


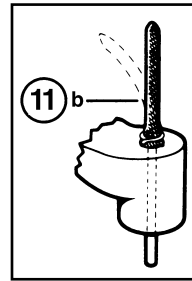
### Parts Diagram



### Clamp Spring Assembly



The sleeve nut assembly, which includes a spring, two washers (small and large hole) and a sleeve nut, provides a visual means of ensuring that the clamp is tight.



### Parts Listing

Ref. No.	Part No.	Description	Ctn. Qty.	No. Req'd
1	ECX270861	Pressure Gauge	10	1
2	DEX2400S	Relief Valve/Gauge Adapter Assembly	5	1
—	DEX2400Z3A	O-Ring for Relief Valve Stem ( <i>Set of 3</i> )	10	1
3	SX200Z5	Relief Valve Assembly O-Ring	25	1
4a	DEX2400BT	Filter Head	1	1
4b	DEX3600BT	Filter Head	1	1
4c	DEX4800BT	Filter Head	1	1
4d	DEX6000BT	Filter Head	1	1
5	ECX176865	Retainer Nut, 5/16" – 18	25	1
6	ECX1109	Washer, 5/16"	10	2
7a	DEX2400R	Retainer Rod	5	1
7b	DEX3600R	Retainer Rod	5	1
7c	DEX4800R	Retainer Rod	5	1
7d	DEX6000R	Retainer Rod	5	1
8	DEX2400JN	Brass Sleeve Nut, 5/16" – 24	10	2
9	DEX2400J	Clamp Assembly w/Spring Assemblies	1	1
10	DEX2400K	Filter Tank D-Ring	10	1
11a	DEX2400C	Top Collector Manifold w/Flex Air Relief	1	1
11b	DEX2400CR	Flex Air Relief Assembly	5	1
12	DEX2400Z5	Outlet Elbow O-Ring	50	1
13a	DEX2400EAB*	Buttress Thrd Outlet Elbow Ass'y w/O-Ring & Blkhd Ftg (1997- )	5	1
13b	DEX3600EAB*	Buttress Thrd Outlet Elbow Ass'y w/O-Ring & Blkhd Ftg (1997- )	5	1
13c	DEX4800EAB*	Buttress Thrd Outlet Elbow Ass'y w/O-Ring & Blkhd Ftg (1997- )	5	1
13d	DEX6000EAB*	Buttress Thrd Outlet Elbow Ass'y w/O-Ring & Blkhd Ftg (1997- )	5	1
14a	DEX2400DA	Filter Element	5	7
14b	DEX3600DA	Filter Element	5	7
14c	DEX4800DA	Filter Element	5	7
14d	DEX6000DA	Filter Element	5	7
15a	DEX2400DS	Filter Element – Short	5	1
15b	DEX3600DS	Filter Element – Short	5	1
15c	DEX4800DS	Filter Element – Short	5	1
15d	DEX6000DS	Filter Element – Short	5	1
16	DEX2400H	Filter Element Locator	5	1
17	DEX2400GAB*	Buttress Thrd Inlet Elbow Ass'y w/O-Ring & Blkhd Ftg (1997- )	3	1
18a	SX200Z3	O-Ring (1995 and prior)	10	2
18b	SX360Z1	O-Ring (1996- )	10	2
19a	DEX360F	Bulkhead Fitting (Noryl®)	25	2
19b	DEX360FB	Buttress Thread Bulkhead Fitting (1997- )	25	2
20	DEX2400A1T	Filter Body	1	1
21	SP1022C	1 1/2" Drain Plug w/O-Ring	100	1
22	SX200Z4	O-Ring	10	2
23a	SP0710XR50	Vari-Flo Valve Assembly 1 1/2" NPT	1	1
—	SP0715XR50	Vari-Flo Valve Assembly – 2" NPT	1	1
—	SP0740DE	Selecta-Flo Valve Assembly – 2" SKT	1	1
23b	SP0410X502S	Slide Valve Assembly – 2" SKT	1	1
—	DEX2400DC	Filter Element Cluster Assembly – Complete set of elements, collector, locator, etc.	1	1
—	DEX3600DC	Filter Element Cluster Assembly – Complete as above	1	1
—	DEX4800DC	Filter Element Cluster Assembly – Complete as above	1	1
—	DEX6000DC	Filter Element Cluster Assembly – Complete as above	1	1
24	DEX2420J1KIT	Clamp Spring Assembly Replacement Kit [complete assembly includes: (a) spring, (b) washer, (c) brass sleeve nut]	10	1

\*For 1997 and prior filters, when elbow replacement is required, use complete kit called out in 13a-13d and 17.