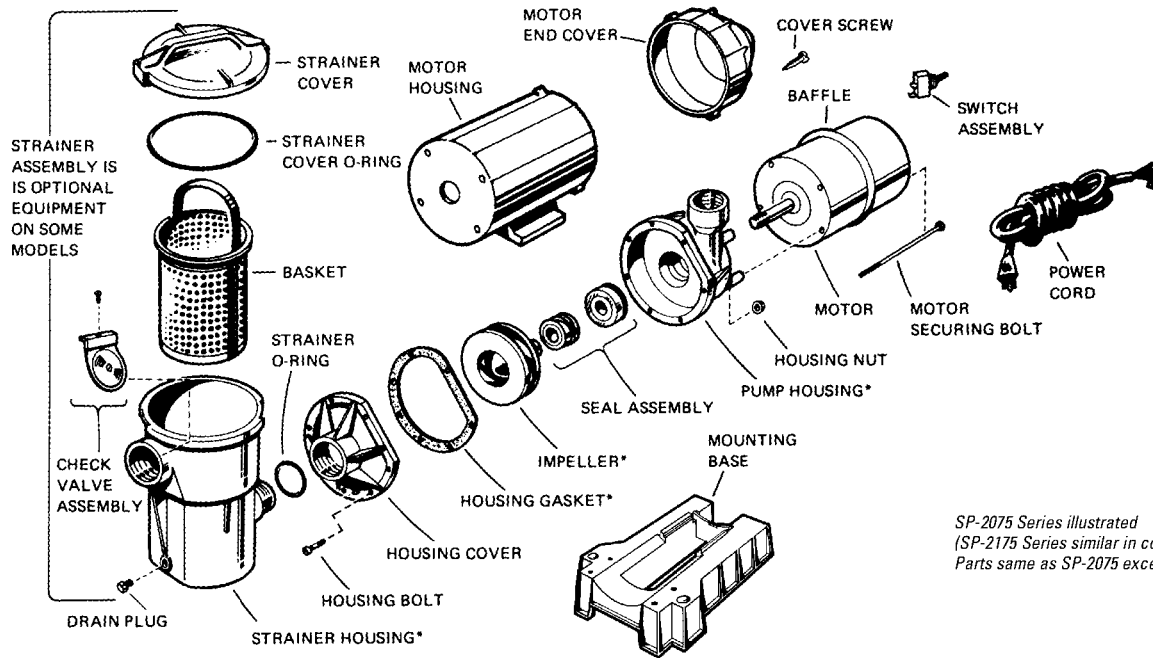




Turbo-Flo™

SP2000 AND SP2100 PUMP SERIES REPLACEMENT PARTS

Parts for Pump Models: SP2075, SP2175



SP-2075 Series illustrated
(SP-2175 Series similar in concept.
Parts same as SP-2075 except as *).

Part No.	Description	Ctn. Qty.
SPX1500AA	Pump Housing (SP-2000 Series)	4
SPX1705AA	Pump Housing (SP-2100 Series)	4
SPX1500B	Housing Cover	2
SPX1705B	Housing Cover w/Integral Diffuser (SP-2100 Series, Turbo-Flo II)	1
SPX1500KA	Seal Assembly	10
SPX1500H	Housing Gasket	10
SPX1705Z1	Housing O-Ring Gasket (SP-2100 Series)	10
SPX1500N2	Housing Bolt, No. 10-24 Hex. Head	20
SPX1500Y2	Housing Nut, No. 10-24 Hex.	25
SPX1500F	Impeller, 3/4 H.P.	10
SPX1707C	Impeller, 3/4 H.P. (SP-2100 Series, Turbo-Flo II)	10
SPX1510N6	Motor Bolt – A.O. Smith 1/2 and 3/4 H.P. (6 3/4")	10
SPX1510N4	Motor Bolt – West. 3/4 and 1 H.P., 1/2 H.P. U.L. (7 1/2")	10
SPX1500CA	Strainer Housing w/Basket	1
SPX1500D2A	Strainer Cover, clear Lexan®, with O-Ring	10
SPX1500P	Strainer Cover O-Ring - for clear cover	10
SPX1250RA	Strainer Basket	10
SPX1500LX	Strainer Basket - Large, 4 1/2" x 7" (After 1992)	10
SPX1500RA	Check Valve Assembly	10
SPX1500W	Strainer O-Ring	10
SPX0710K	Drain Plug (optional) - Strainer and SP-2000 Series Housing	25
SPX1700FG	Drain Plug w/Gasket - SP-2100 Series Housing	10
SPX1500X1	Shim (for vertical discharge)	10
SPX2000A2	Motor Housing	1
SPX1515C	Retainer C-Clip	1